

LED Lighting

Circular Bulkhead LED Luminaire PF330W-14W



Features

- Replaces 28W 2D CFL
- High performance LED array
- Energy efficient
- Low power consumption
- Long life >50000 hours
- Low maintenance, easy to install
- Provision for sensor
- Optional emergency pack
- IP65

Description

The PF330W interior circular bulkhead LED luminaires are designed to replace traditional 2D compact fluorescent lamp types with an LED light source. The array of high performance LED emitters produce a bright and even light output.

Units are supplied with integral LED driver and optional sensor and/or emergency pack to facilitate connection to ac mains supply

Standard Unit

SPECIFICATIONS				
Model	Power (W)	CCT°K	Total Flux (lm) typ	CRI (Ra)
PF330W-NAW-14W	14W	4000K	1288	80

With Integral Microwave sensor

The integral motion sensor will switch on when movement is detected & turn off after a pre-selected hold time when there are no persons present. The built-in daylight sensor may also be set to switch off the light when there is sufficient natural light.

Selectable detection area, hold on time, daylight sensing level

SPECIFICATIONS				
Model	Power (W)	CCT°K	Total Flux (lm) typ	CRI (Ra)
PF330W-NAW-14W+SENS	14W	5000 ~ 6500K	1288	80

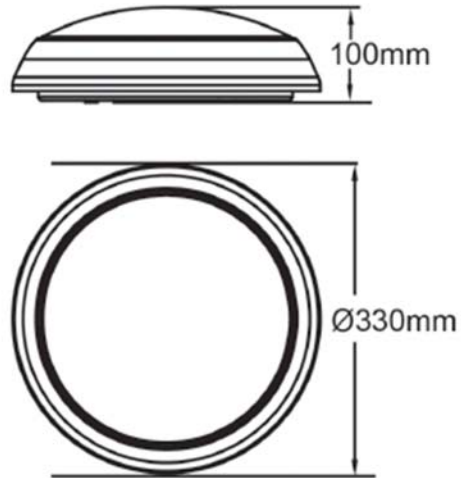
With Integral Emergency pack

SPECIFICATIONS				
Model	Power (W)	CCT°K	Total Flux (lm) typ	CRI (Ra)
PF330W-PW-14W+EMERG	14W	5000 ~ 6500K	1288	80

With Integral sensor and Emergency pack

SPECIFICATIONS				
Model	Power (W)	CCT°K	Total Flux (lm) typ	CRI (Ra)
PF330W-NAW-13W+SENS+EMERG	14W	5000 ~ 6500K	1288	80

Dimensions



Surface Mounting

Base: Polycarbonate

Diffuser: Polycarbonate TP(b) rated

Choice of Base colour White or Black

Unit weight: 1.75Kg